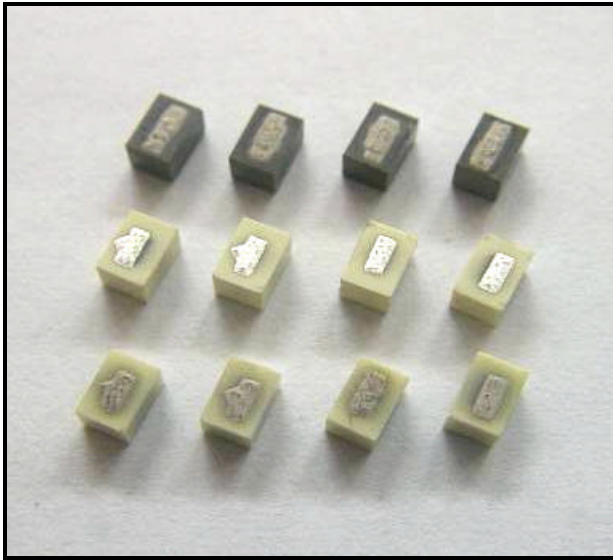




## Miniature Multilayer Piezo Actuators



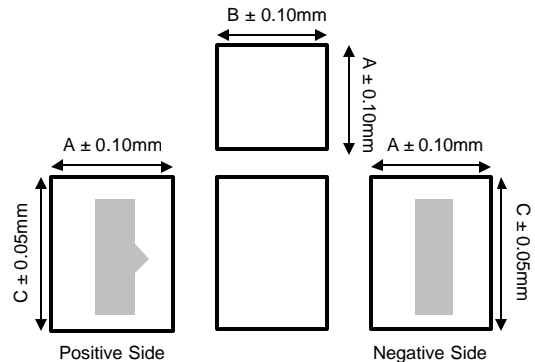
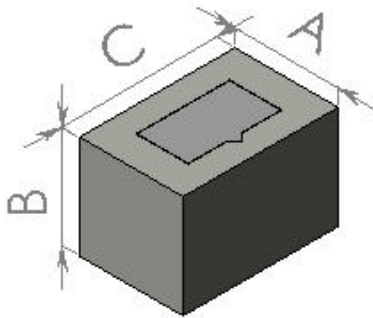
### FEATURES

- Miniature in size (2 mm x 2 mm x 3 mm )
- Minimum out-gassing in vacuum environment
- High-temperature environment operation: Over 100°C
- High-speed response : Over 100 kHz
- Fine positioning : Controllable in nanometers
- Low operating voltage : Under 200V
- Low electromagnetic interference
- Low energy consumption
- Available in **customized** designs upon orders

### APPLICATIONS

- Printers, Mirror/Prism Precision Positioning, Micro-pumps, Linear Motors, etc.

### BASIC DIMENSIONS



Properties	PAC-122C	PAC-222C	PAC-422C
Operating Temperature Range	-20°C ~ 150°C	-20°C ~ 120°C	-20°C ~ 150°C
Max. Operating Voltage	150 V		
Max. Displacement	≥ 1.0 μm	≥ 1.2 μm	≥ 0.8 μm
Displacement Hysteresis	≤ 15%		
Unloaded Resonance Frequency	≥ 400 kHz		
Max. Force Generation	≥ 12 N		
Capacitance @ 1 kHz	12 nF ± 20%	18 nF ± 20%	10 nF ± 20%
Dielectric Loss (tanδ) @ 1 kHz	≤ 3.0%	≤ 2.0%	≤ 0.5%
Insulation Resistance	≥ 100 MΩ		
Dimension (A x B x C)	2 mm x 2 mm x 3 mm		
Mass (g)	0.095		

Above specifications measured at room temperature